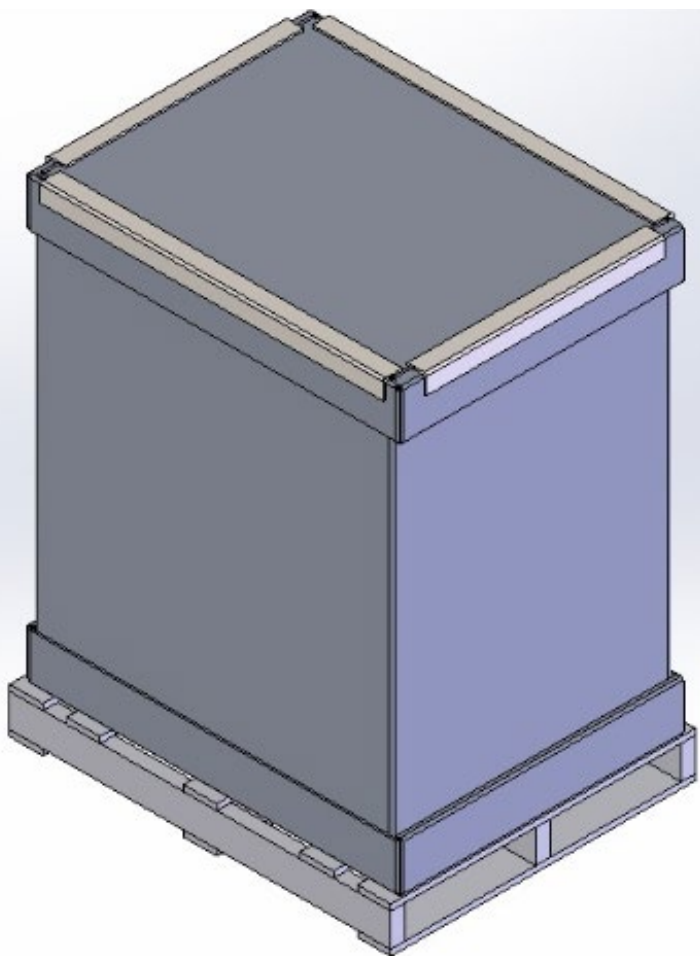




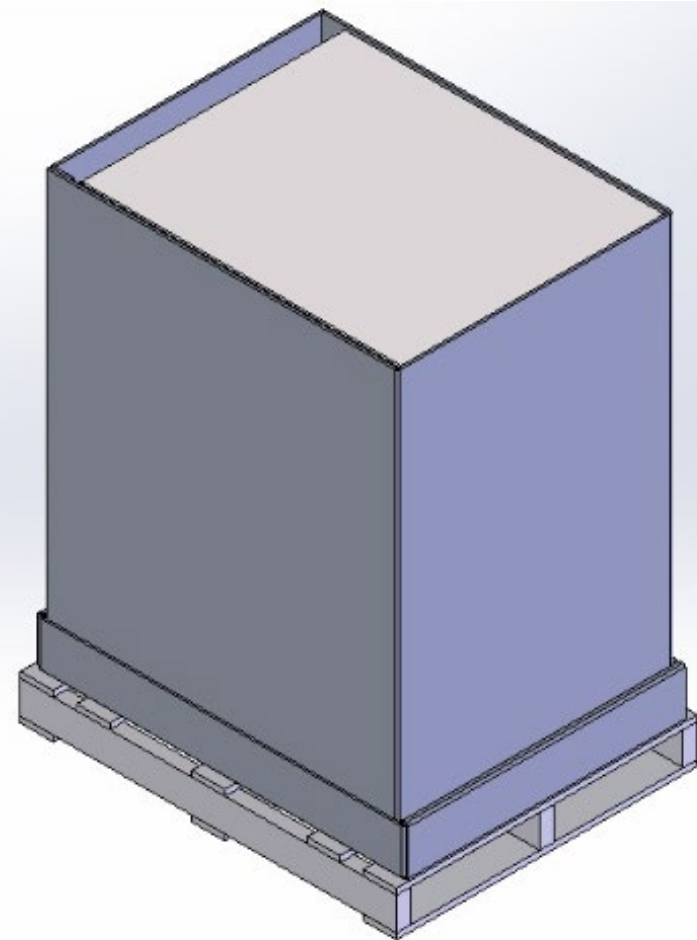
**BRETTFORD®**

Charging Cart Unpacking Instructions

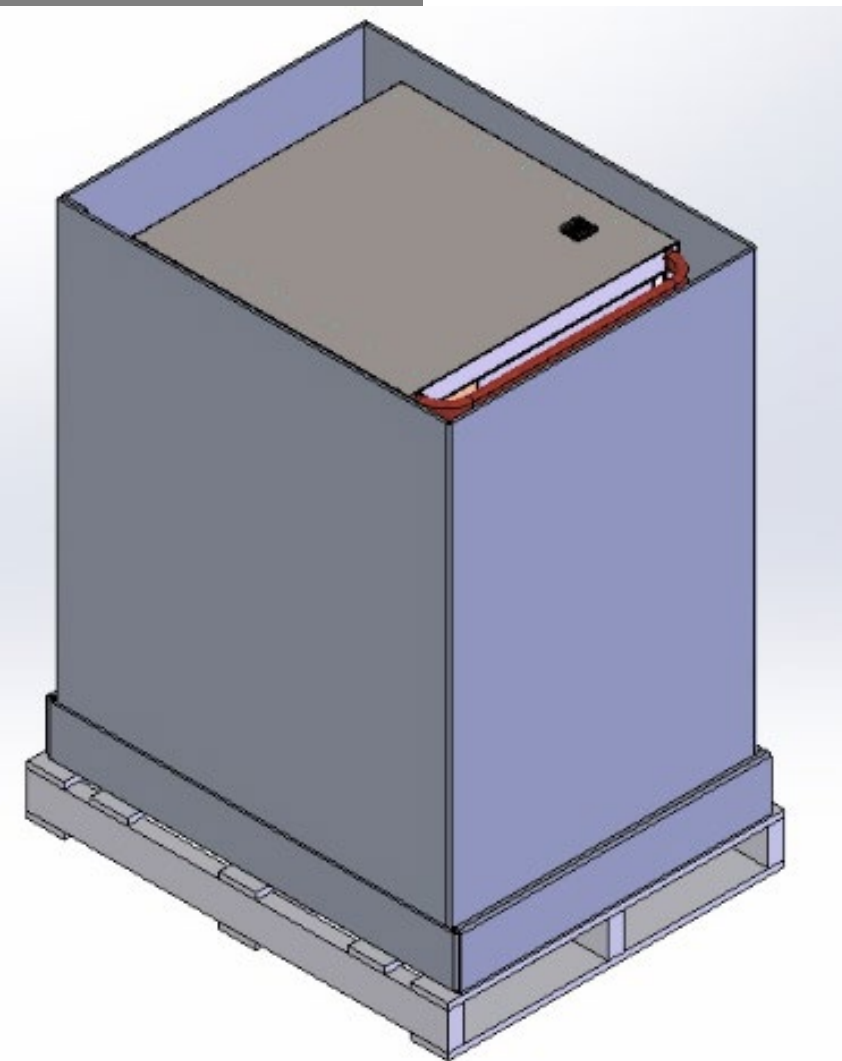
STEP 1:  
Remove  
Straps



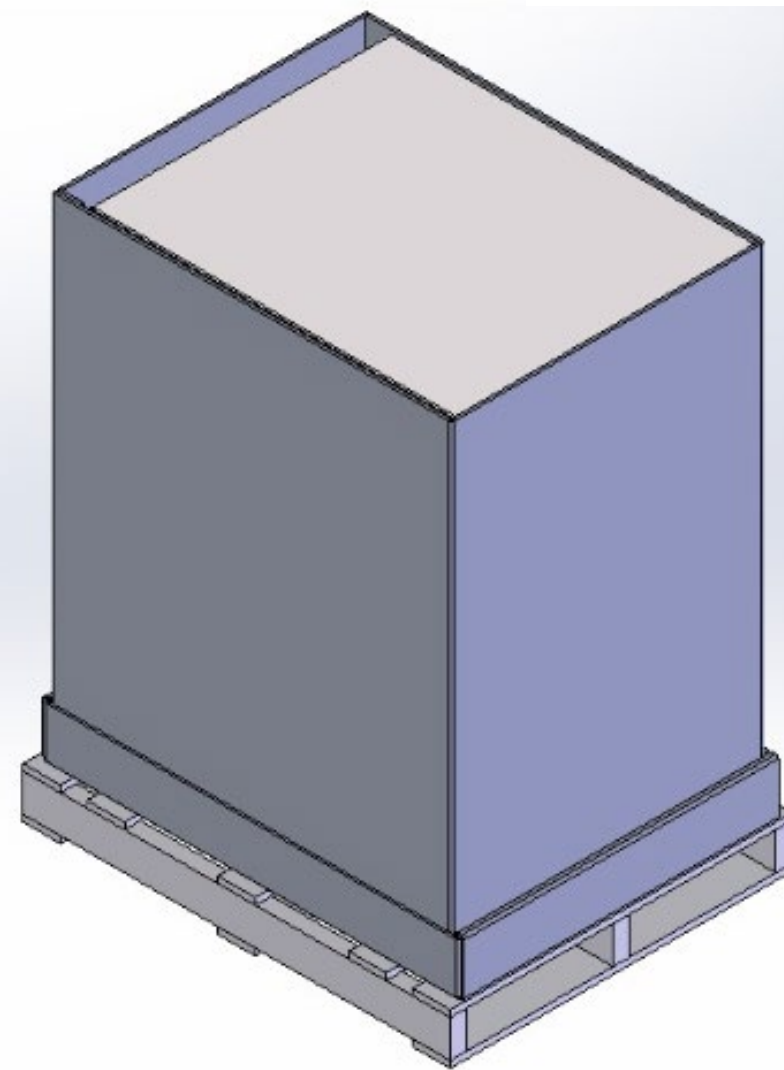
STEP 2:  
Remove  
Top Tray



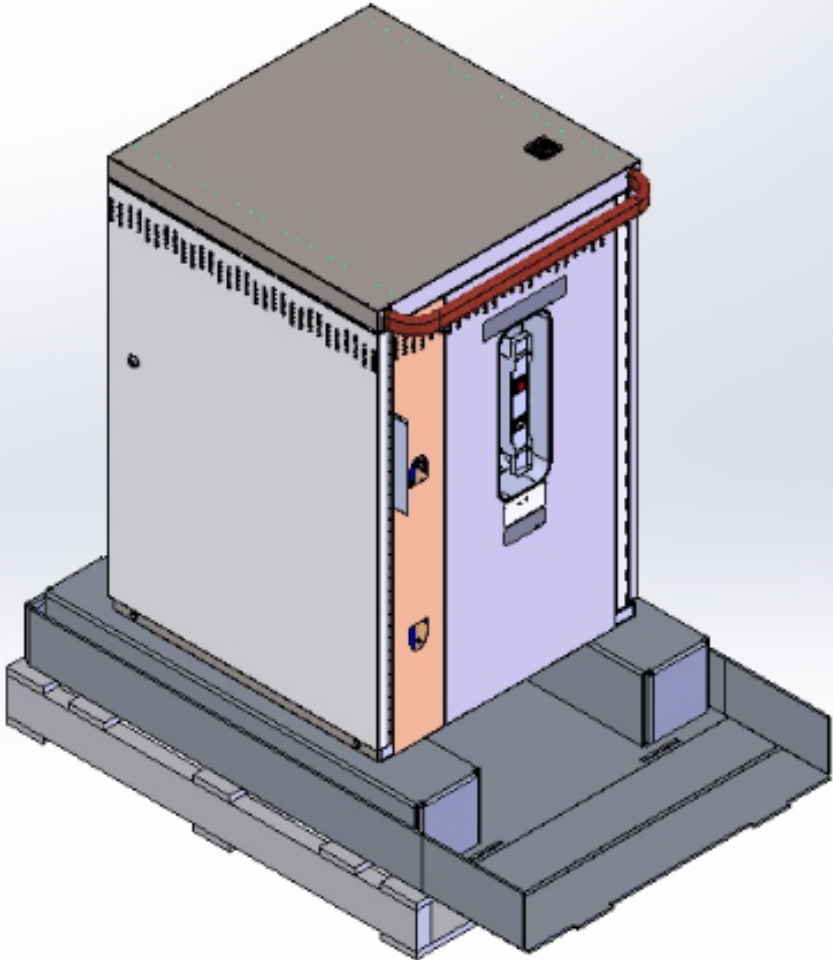
STEP 3:  
Remove  
Top  
Support



STEP 4:  
Remove  
Outer Wrap  
& Plastic  
Bag

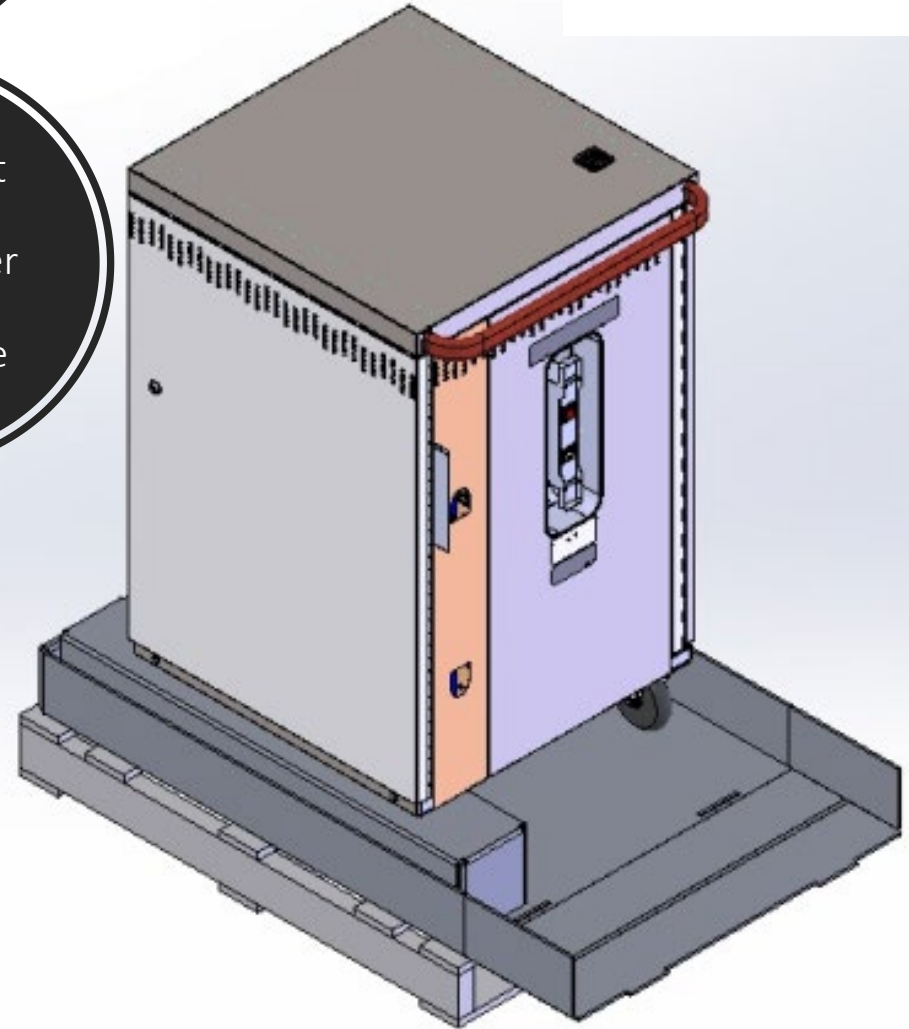


STEP 5:  
Unfold  
End Flap  
of the  
Tray



STEP 6:  
Requires  
2 people

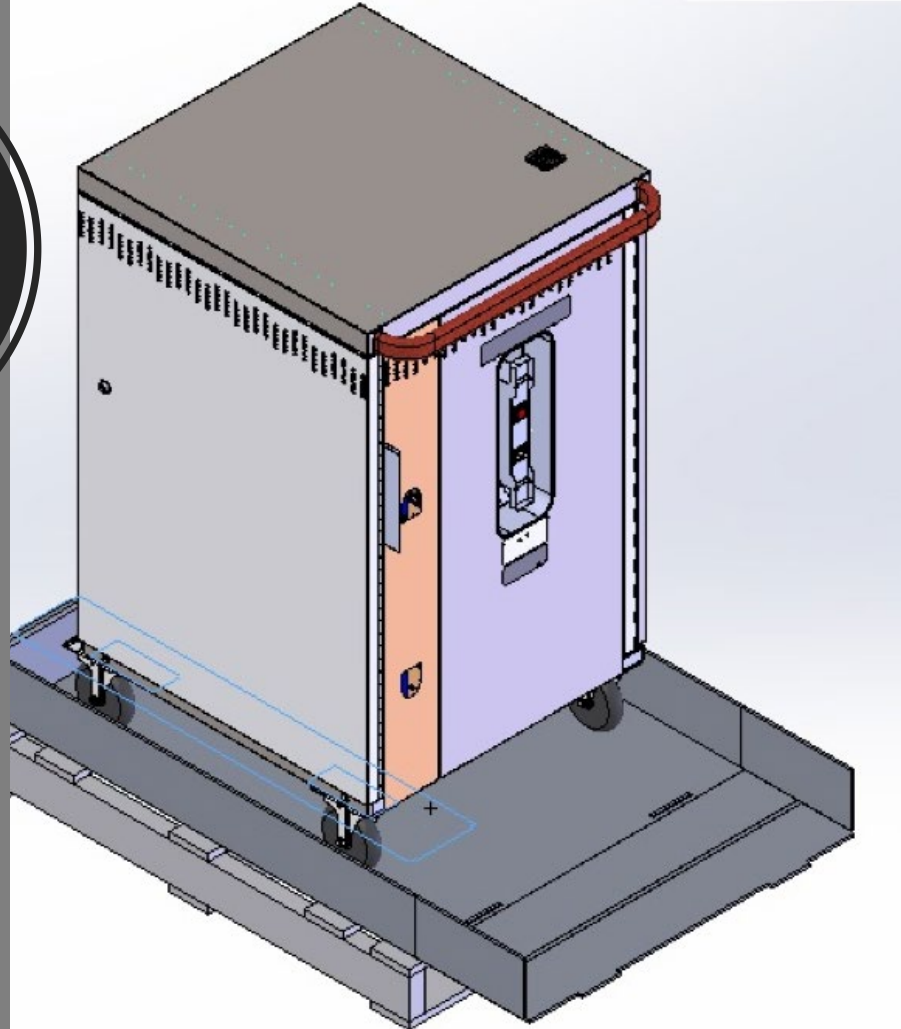
One Person  
Tilts the Cart  
to the Left  
and the Other  
Person  
Removes the  
Support



STEP 7:  
Requires  
2 people

One Person  
Tilts the Cart  
to the Right  
and the Other  
Person  
Removes the  
Support

If repacking is  
required. Please  
follow the  
instructions in  
reverse.



STEP 8:  
Roll Cart  
Off Pallet

